

GRUPOS HIDRAULICOS

Alapont Soluciones Logísticas dispone de todos los repuestos necesarios para el buen funcionamiento de tus muelles hidráulicos.



GRUPO HIDRAULICO DE MUELLE ESTANDAR ALAPONT

Ref: 0101A0101011



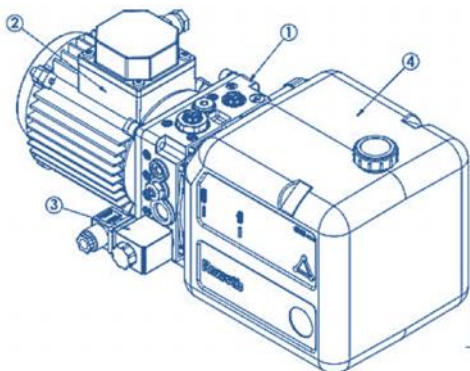
GRUPO HIDRAULICO DE MUELLE TELESCÓPICO

Ref: 0103A0101011



GRUPO HIDRAULICO DE MUELLE VERTICAL

Ref: 0106A0101011



Pos.	Q.ty	Code	Description
1	1	K3971S167Z	67.Z Central manifold for dock leveller
2	1	C1622S1083C	725 AC Mot.3ph. 1.1kW 230-400V 50Hz 2800rpm S3=30%
3	1	C1664010H2	S2-CE+C Coil 24Vac 50Hz 18W with connector
4	1	K3976SE380	S343 Neutral plastic tank 5 liters horizontal
5	1	K2340S2149	Suction pipe L=58
6	1	K234716000	Return pipe
7	1	K225566000	Suction filter 3/8" female 15l/min (90 micron)
8	1	C0001S2115	Seal OR 4437 (110.7x3.53) NBR70
9	1	K2501VT015	Assembling kit for plastic tank on KS manifold
10	1	K3970TR105	F99 junction element
11	2	C011902000	Plastic protection plug 1/4"BSPP
12	1	CV640080HP	12 Gear pump 1.7 cc/rev + screws M8x55
13	1	9999999187	PVC pipe