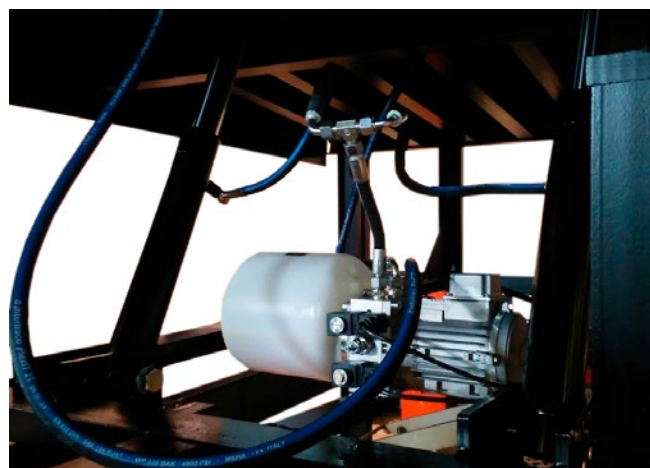


Grupos hidráulicos

En Alapont Soluciones Logísticas dispone de varios **modelos de grupos hidráulicos**, en función del tipo de de rampa para muelle de carga: estándar, vertical o telescópica.



Grupo hidráulico de muelle estándar

Ref: 0101A0101011



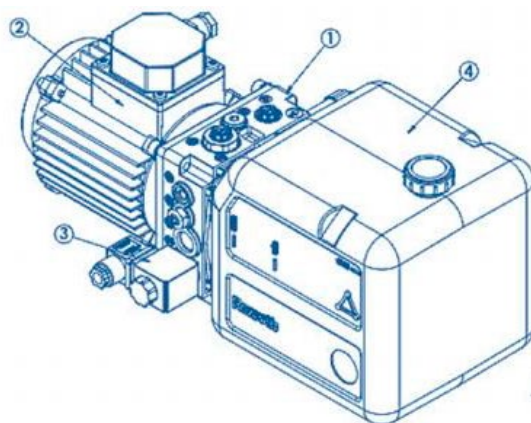
Grupo hidráulico de muelle telescópico

Ref: 0103A0101011



Grupo hidráulico de muelle vertical

Ref: 0106A0101011



| Pos. | Q.ty | Code | Description |
|------|------|-------------|---|
| 1 | 1 | K3971S167Z | 67.Z Central manifold for dock leveller |
| 2 | 1 | C1622S1083C | 725 AC Mot. 3ph. 1.1kw 230-400V 50Hz 2800rpm S3=30% |
| 3 | 1 | C1664010H2 | S2-CE+C Coil 24Vac 50Hz 18W with connector |
| 4 | 1 | K3976SE380 | S343 Neutral plastic tank 5 liters horizontal |
| 5 | 1 | K2340S2149 | Suction pipe L=58 |
| 6 | 1 | K234716000 | Return pipe |
| 7 | 1 | K225566000 | Suction filter 3/8" female 15l/min (90 micron) |
| 8 | 1 | C0001S2115 | Seal OR 4437 (110.7 X 3.53) NBR70 |
| 9 | 1 | K2501VT015 | Assembling kit for plastic tank on KS manifold |
| 10 | 1 | K3970TR105 | F99 junction element |
| 11 | 2 | C011902000 | Plastic protection plug 1/4" BSPP |
| 12 | 1 | CV640080HP | 12 Gear pump 1.7 cc/rev + screws M8X55 |
| 13 | 1 | 9999999189 | PVC pipe |